



7-Drawer Dresser

ITM. / ART. 4560013

Model # JOR7DD

ASSEMBLY INSTRUCTIONS

IMPORTANT, RETAIN FOR FUTURE REFERENCE: READ CAREFULLY

If you have any questions regarding assembly or if parts are missing, DO NOT return this item to the store where it was purchased. Please call our customer service number and have your instructions and parts list ready to provide the model name, part name or factory number:

1-877-494-2536 (English, French and Spanish)

Pacific Standard Time: 8:30 a.m. - 4:30 p.m., Monday to Friday
(In U.S. and Canada only)

Or visit our website www.baysidefurnishings.com

For customer service outside of North America, please e-mail your request to
parts@baysidefurnishings.com



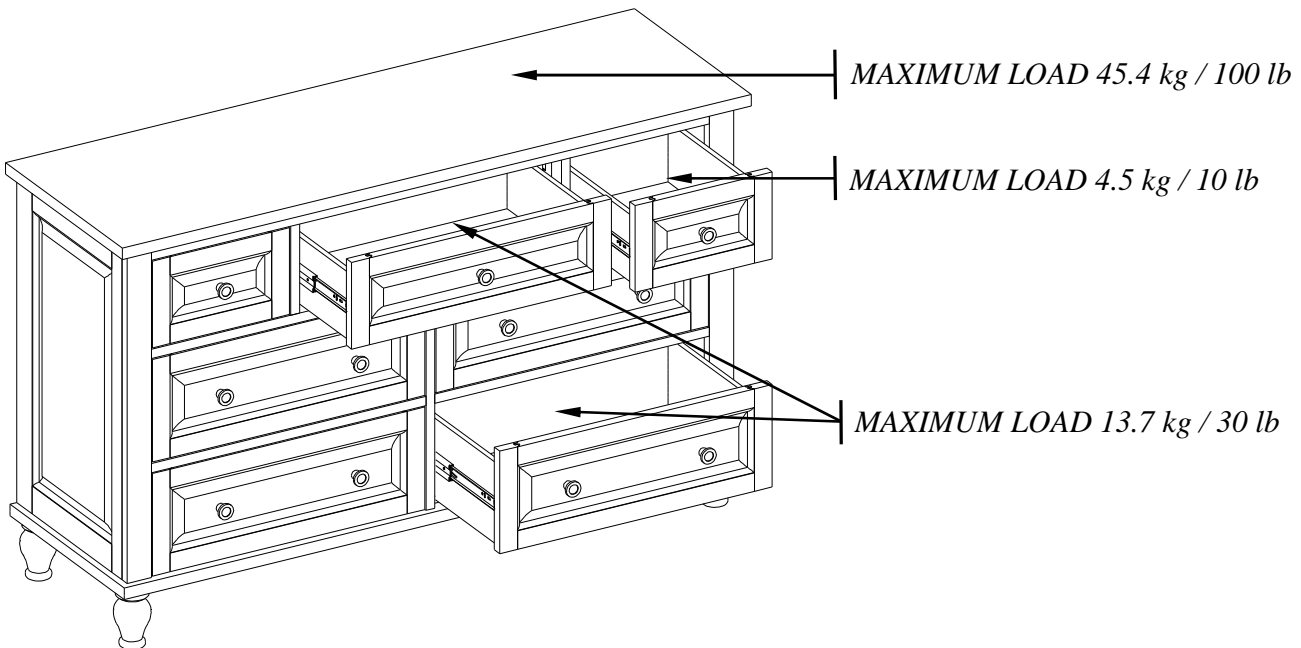
GENERAL INFORMATION AND TIPS

1. This product is for indoor domestic use only.
2. Please read the Assembly Instructions prior to assembling this product.
3. To avoid damage, assemble the product on a non-abrasive surface such as a carpet surface.
4. Refer to your assembly manual for maximum weight capacities. Load drawers and shelves from the bottom to the top. Place heavier items in lower drawers and/or shelves. Unload drawers and shelves from the top to the bottom before moving the furniture.
5. Do not push furniture, especially on carpeted floor. Have someone help you lift the item and place it in its new location.

Please make sure you have all parts before beginning assembly. Please wait until all steps are completed before tightening bolts. We recommend using two people for assembly.

MAXIMUM RECOMMENDED WEIGHT LOADS

MANUFACTURER: Bayside Furnishings®
CATALOG: 7-Drawer Dresser (JOR7DD)
MADE IN VIETNAM




⚠ WARNING THIS UNIT IS INTENDED ONLY FOR USE WITHIN THE MAXIMUM WEIGHTS INDICATED. USE WITH LOAD HEAVIER THAN THE MAXIMUM WEIGHTS INDICATED MAY RESULT IN INSTABILITY, CAUSING POSSIBLE INJURY.

FURNITURE TIPPING RESTRAINT

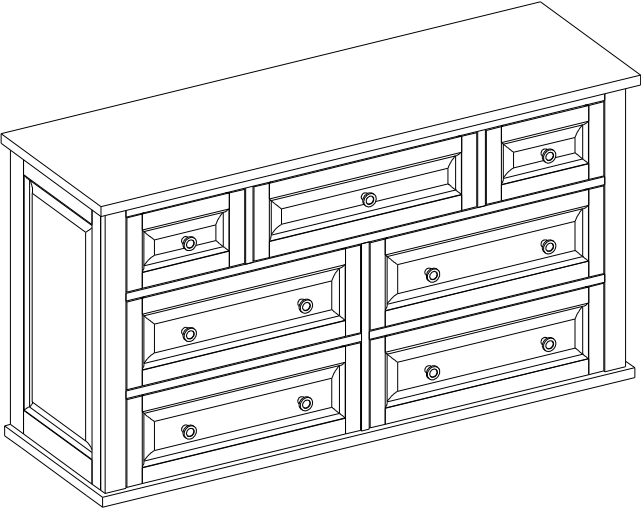

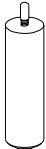
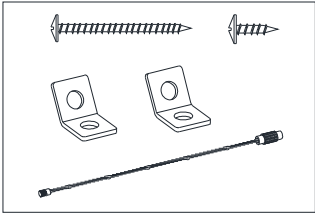
YOUNG CHILDREN CAN BE SERIOUSLY INJURED BY TIPPING FURNITURE. YOU MUST INSTALL THE TIPPING RESTRAINT HARDWARE WITH THE UNIT TO PREVENT THE UNIT FROM TIPPING, CAUSING ANY ACCIDENTS OR DAMAGE.

THIS HARDWARE, MUST BE PROPERLY INSTALLED (FOLLOW ALL DIRECTIONS IN ORDER ON THE PLASTIC BAG), TO PROVIDE PROTECTION AGAINST THE UNEXPECTED TIPPING OF FURNITURE DUE TO IMPROPER USE.

THE TIPPING RESTRAINTS ARE INTENDED ONLY AS A DETERRENT, THEY ARE NOT A SUBSTITUTE FOR PROPER ADULT SUPERVISION. THE TIPPING RESTRAINTS ARE NOT EARTHQUAKE RESTRAINTS. IF YOU WISH TO ADD THE EXTRA SECURITY OF EARTHQUAKE RESTRAINTS, THEY MUST BE PURCHASED AND INSTALLED SEPARATELY.

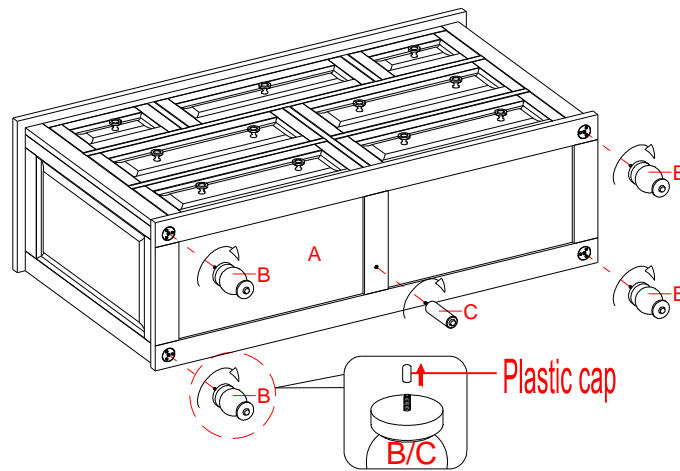
⚠ WARNING	
	<p>Serious or fatal crushing injuries can occur from furniture tip-over. To help prevent tip-over:</p> <ul style="list-style-type: none">• Install tip-over restraint provided.• Place heaviest items in the lowest drawers.• Do not set TV's or other heavy objects on top of this product, unless the product is specifically designed to accommodate them.• Never allow children to climb or hang on drawers, doors, or shelves.• Never open more than one drawer at a time. <p>Use of tip-over restraints may only reduce, but not eliminate, the risk of tip-over.</p> <p><i>This is a permanent label. Do not remove!</i></p>

Parts and Hardware List

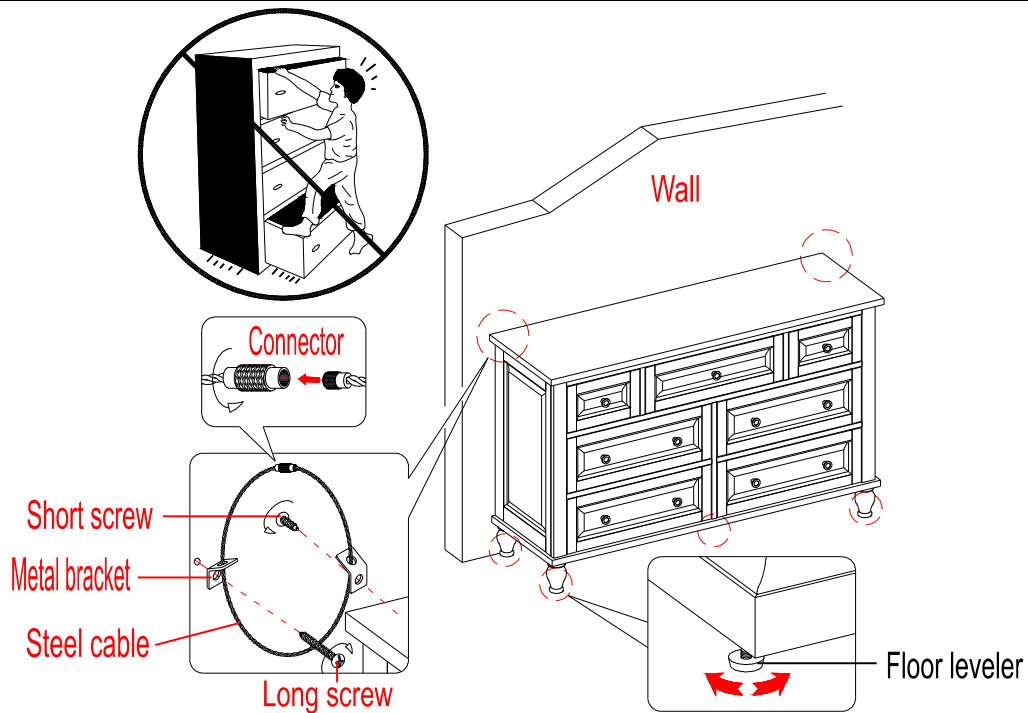
PART #	PART DESCRIPTION	PART FIGURE	QUANTITY
A	Dresser		1
B	Bun Foot		4
C	Center Support		1
	Tipping Restraint Hardware Kit		2 sets

Additional tools required (not included): Phillips screwdriver, stud finder, power drill, and 3 mm / 0.1 in drill bit.

Assembly Instructions



1. Take out the legs inner box from the bottom drawer and lay the dresser (A) at its back edge.
2. Remove the plastic caps from the hanger bolts of the bun feet (B) and center support (C). Securely screw the bun feet (B) and center support (C) to the underside of the dresser.
3. Set the adjustable floor leveler to the correct height.



4. Stand the unit upright and position at the desired location against a wall. If necessary, adjust the floor levelers under the bun feet (B) and center support (C) to correct tilting.
5. Follow the instructions printed on the plastic bag containing the tipping restraint hardware to attach the tip-over restraints to the unit and the wall.

NOTE: The tipping restraint hardware included is for wooden stud wall construction. It must be attached to a wall stud. Depending upon your wall construction, different anchor hardware maybe required. Please contact your local hardware store for assistance. Young children can be seriously injured by tipping furniture. You must install the Tipping Restraint Hardware with the unit to prevent the unit from tipping, causing any accidents or damage. The tipping restraints are intended only as a deterrent, they are not a substitute for proper adult supervision. The tipping restraints are not earthquake restraints. If you wish to add the extra security of earthquake restraints, they must be purchased and installed separately.

6. The dresser is now ready for use.

Care and Maintenance

- Use a soft, clean cloth that will not scratch the surface when dusting.
- Use of furniture polish is not necessary. Should you choose to use polish, test first in an inconspicuous area.
- Using solvents of any kind on your furniture may damage the finish.
- Never use water to clean your furniture as it may cause damage to the finish.
- Always use coasters under beverage glasses and flowerpots.
- Liquid spills should be removed immediately. Using a soft, clean cloth, blot the spill gently. Avoid rubbing.
- Always use protective pads under hot dishes and plates. Heat can cause chemical changes that may create spotting within the furniture finish.
- In the event that your furniture is stained or otherwise damaged during use, we recommend that you call a professional to repair your furniture.
- Check bolts/screws periodically and tighten them if necessary.

Further Advice about Wood Furniture Care

It is best to keep your furniture in a climate-controlled environment. Extreme temperature and humidity changes can cause fading, warping, shrinking and splitting of wood. It is advised to keep furniture away from direct sunlight as sun may damage the finish.

Proper care and cleaning at home will extend the life of your purchase. Following these important and helpful tips will enhance your furniture as it ages.

We hope you enjoy your purchase for many years.
Thank you for your purchase!

Quality Guarantee (Not Valid in Mexico)

We are confident that you will be delighted with your Bayside Furnishings® purchase.

Should this product be defective in workmanship or materials or fail under normal use, we will repair or replace it for up to one (1) year from date of purchase. Every Bayside Furnishings® product is designed to meet your highest expectations. We guarantee that you will immediately see the value of our fine furniture.

This warranty gives you specific legal rights and you may also have other rights which vary from state to state or province to province.

AUSTRALIA: Our goods come with guarantees that cannot be excluded under the Australian Consumer Law. You are entitled to a replacement or refund for a major failure and for compensation for any other reasonably foreseeable loss or damage. You are also entitled to have the goods repaired or replaced if the goods fail to be of acceptable quality and the failure does not amount to a major failure.

Customer Service: 1-877-494-2536 (English, French, Spanish)
Pacific Standard Time: 8:30 a.m. - 4:30 p.m., Monday to Friday
(Valid in US and Canada only)
www.baysidefurnishings.com

MADE IN VIETNAM / FABRIQUÉ AU VIETNAM / HECHO EN VIETNAM