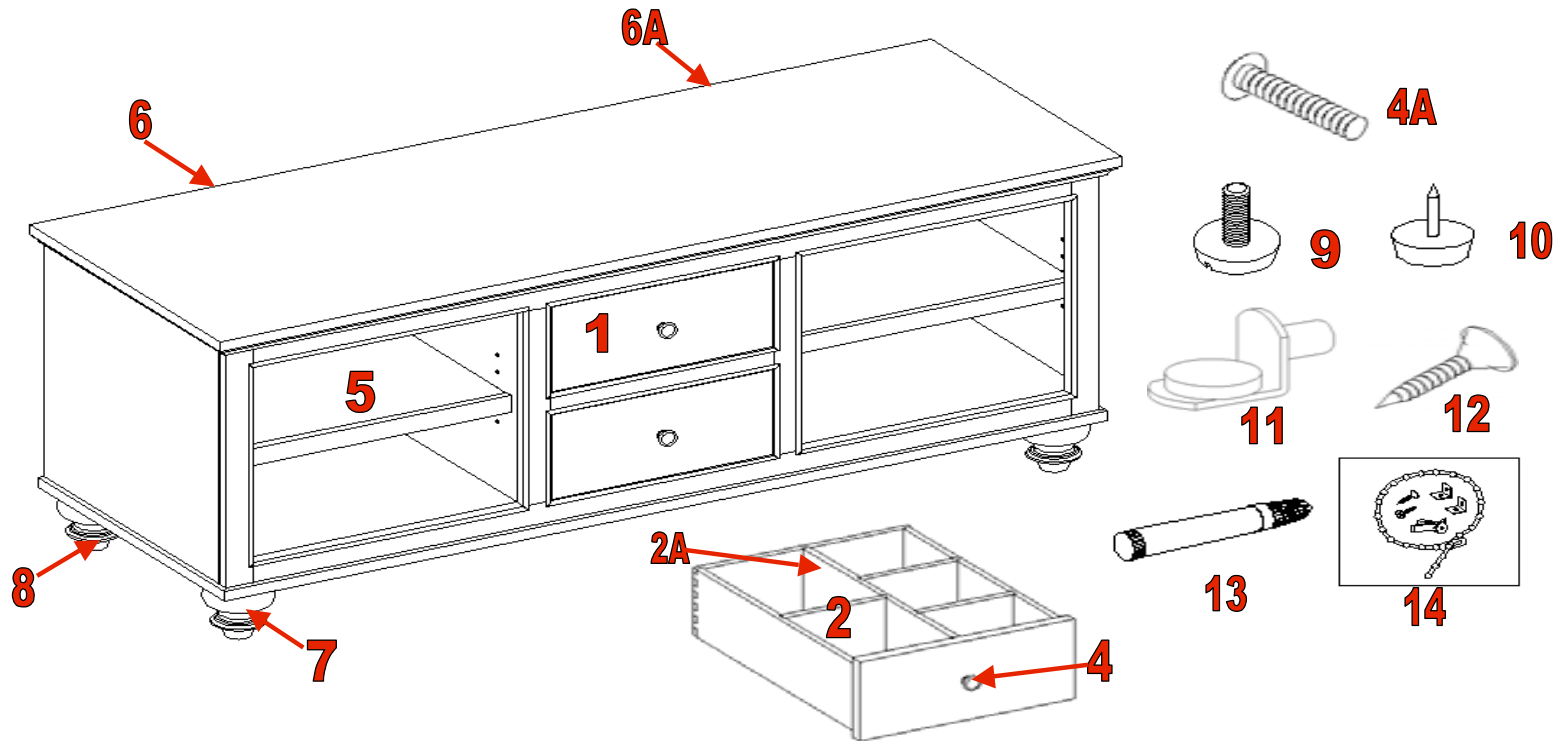


IF YOU NEED TO REQUEST ANY PARTS PLEASE USE THE LIST BELOW

METROPOLITAN 60" TV CONSOLE



- | | | | |
|-----------------|-----------------------------|------------------|--------------------------------|
| MP60CON -1-D | Drawer | MP60CON -7-LL | Leg for Leveler |
| MP60CON -2-SDD | Short Drawer Divider | MP60CON -8-LFP | Leg for Floor Protector |
| MP60CON -2A-LDD | Long Drawer Divider | MP60CON -9-FL | Floor Leveler |
| MP60CON -3-DG | Drawer Slide (under drawer) | MP60CON -10-FP | Floor Protector |
| MP60CON -4-DK | Drawer Knob | MP60CON -11-SPH | Shelf Pin with Hole |
| MP60CON -4A-KB | Knob Bolt | MP60CON -12-1/2S | 1/2" Screw |
| MP60CON -5-AS | Adjustable Shelf | MP60CON -13-TUP | Touch Up Pen |
| MP60CON -6-LBP | Left Back Panel | MP60CON -14-TRHK | Tipping Restraint Hardware Kit |
| MP60CON -6A-RBP | Right Back Panel | MP60CON -15-CH | Complete Hardware |

